

## FOREWORD

The WORKBOOK FOR STRINGS, Books I and II, stress the names of notes, finger patterns, scales, key signatures, terms and symbols, and other information necessary to prepare the string player thoroughly for orchestra membership.

Book I, 44 pages, covers the problems encountered during the first year or so of string study.

Book II, 40 pages, briefly reviews the Book I material, covers all keys, finger patterns, string terms, signs and symbols, and corresponds to material found in most second and third year method books.

Published in separate books for each of the stringed instruments, the material is in workbook form so that the assignments can be completed at home to save rehearsal time. Only a minimum amount of classroom explanation is necessary.

Book I	Book II
Violin	Violin
Viola	Viola
Cello	Cello
Bass	Bass

Forest R. Etling

# WORKBOOK FOR STRINGS

## BOOK II

Student Record

Name \_\_\_\_\_

Page	Assigned ( ✓ )	Grade	Page	Assigned ( ✓ )	Grade
1			21		
2			22		
3			23		
4			24		
5			25		
6			26		
7			27		
8			28		
9			29		
10			30		
11			31		
12			32		
13			33		
14			34		
15			35		
16			36		
17			37		
18			38		
19			39		
20			40		

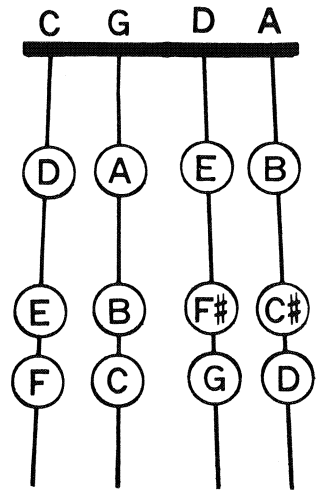
# THE 3-4 PATTERN REVIEW

D string: D, E, F#, G

G string: G, A, B, C

A string: A, B, C#, D

C string: C, D, E, F



- DIRECTIONS:
1. Write the letter names.
  2. Mark the  $\frac{1}{2}$  steps. ( ^ )

D string

\_\_\_\_\_

(Note that the sharp is now in the key signature.)

\_\_\_\_\_

A string

\_\_\_\_\_

(Note that the sharp is now in the key signature.)

\_\_\_\_\_

G string

\_\_\_\_\_

C string

\_\_\_\_\_

# THE MAJOR SCALES IN FLATS

## DIRECTIONS:

1. Write in the names of the notes.
2. Write the names of the flats in the squares.
3. Mark the  $\frac{1}{2}$  steps. ( ^ )

Key of C

\_\_\_\_\_

Key of F

\_\_\_\_\_

Key of Bb

\_\_\_\_\_

Key of Eb

\_\_\_\_\_

Key of Ab

\_\_\_\_\_